

PARTS LIST

[MX-J100]

* All printed circuit boards and its assemblies are not available as service parts.

MX-J100	
Area suffix	
J	U.S.A.
C	Canada

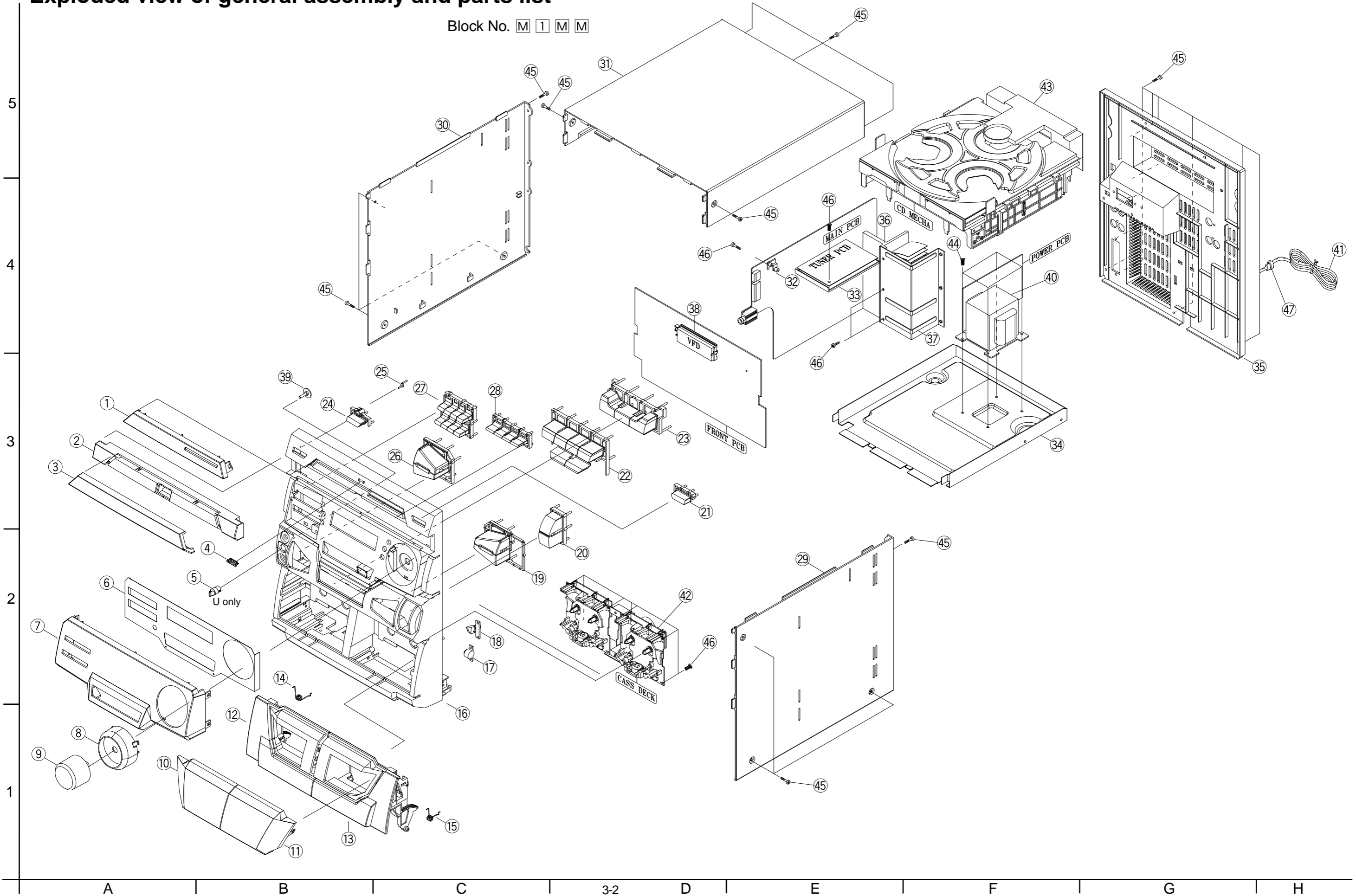
- Contents -

- Exploded view of general assembly and parts list 3- 2
- CD mechanism assembly and parts list 3- 4
- CD changer mechanism assembly and parts list 3- 5
- Cassette mechanism assembly and parts list 3- 7
- Electrical parts list 3- 8
- Packing materials and accessories parts list 3-19

Exploded view of general assembly and parts list

Block No.

M	1	M	M
---	---	---	---



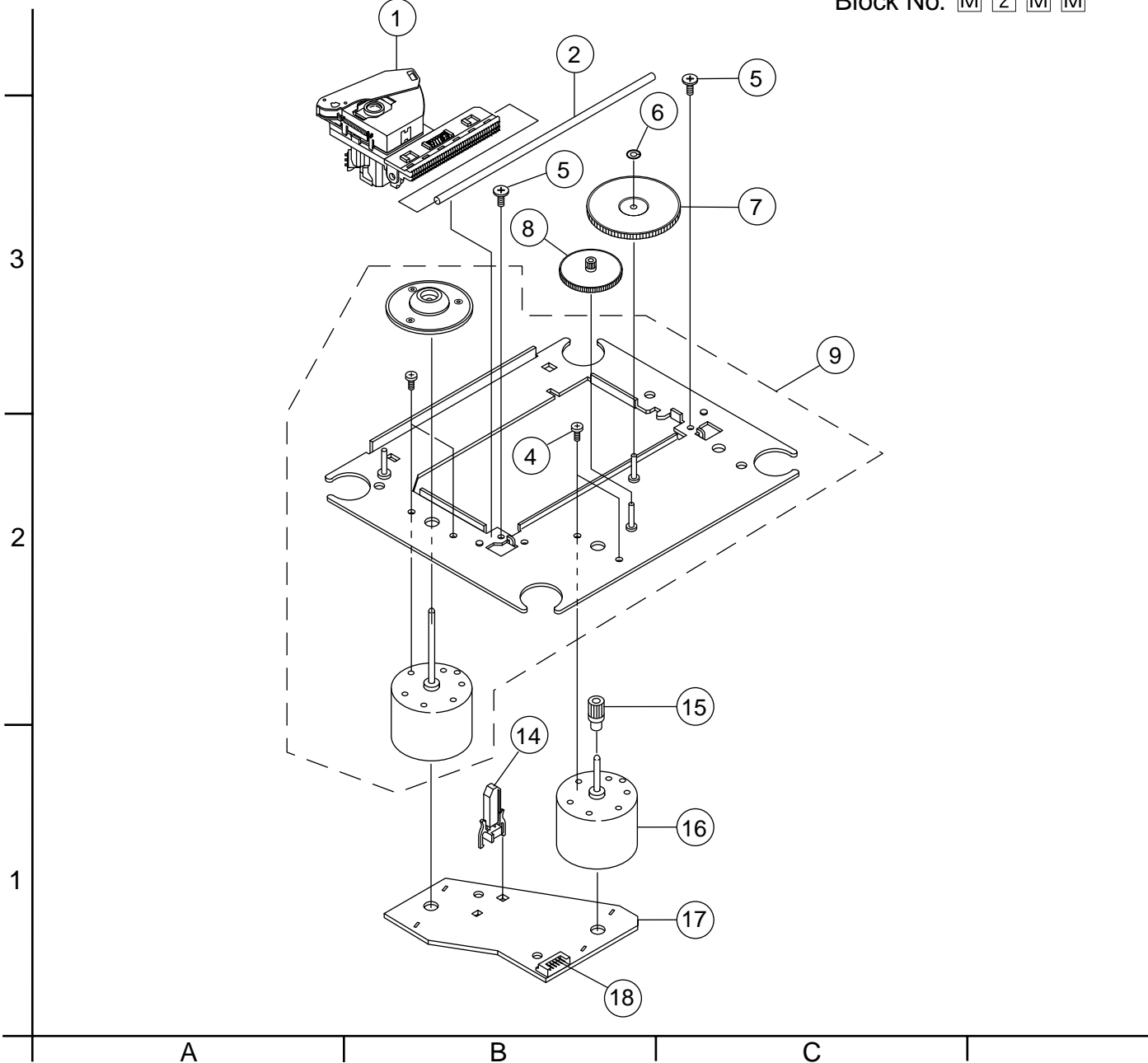
Parts list (General assembly)

Block No. M1MM

▲	Item	Parts number	Parts name	Q'ty	Description	Area
	1	AH64-00426B	WINDOW-CD	1		
	2	AH64-00414B	DOOR-CD	1		
	3	AH64-00429B	WINDOW-DOOR CD	1		
	4	AH64-00462A	BADGE-JVC	1		
	6	AH63-00107A	SHEET-FRONT	1		
	7	AH64-00430B	WINDOW-VFD	1		
	8	AH61-00271B	CAP-VOLUME	1		
	9	AH64-00422B	KNOB-VOLUME	1		
	10	AH64-00427B	CASSETTE-LID A	1		
	11	AH64-00428B	CASSETTE-LID B	1		
	12	AH64-00412B	DOOR-CASSETTE A	1		
	13	AH64-00413B	DOOR-CASSETTE B	1		
	14	AH61-62004A	SPRING-EJECT A	1		
	15	AH61-62004B	SPRING-EJECT B	1		
	16	AH64-00364B	CABINET-FRONT	1		
	17	AH61-80030A	DAMPER-ASSY	2		
	18	AH59-50001A	LATCH-ASSY	2		
	19	AH64-00421B	KNOB-RECORD	1		
	20	AH64-00423B	KNOB-DUBBING	1		
	21	AH64-00420B	KNOB-CD OPEN	1		
	22	AH64-00415B	KNOB-FUNCTION	1		
	23	AH64-00418B	KNOB-PRESET	1		
	24	AH64-00425B	KNOB-POWER	1		
	25	AH67-00035A	LENS-POWER	1		
	26	AH64-00440B	KNOB-PROGRAM	1		
	27	AH64-00424A	KNOB-SLEEP	1		
	28	AH64-00416A	KNOB-DISC	1		
	29	AH64-00432A	CABINET-SIDE R	1		
	30	AH64-00431A	CABINET-SIDE L	1		
	31	AH64-00443A	CABNET-TOP	1		
	32	AH61-00021A	HOLDER-PCB	1		
	33	AH61-20540A	HOLDER-TUNER	1		
	34	AH64-30416A	CABINET-BOTTOM	1		
	35	AH64-00365B	CABINET-REAR	1		
	36	AH62-00023A	HEAT SINK-MAIN	1		
	37	AH61-00250A	BRKT-H/SINK	1		
	38	AH61-00252A	HOLDER-VFD	1		
	39	AH61-00380A	SHAFT-H/PHONE	1		
	40	AH26-00054A	POWER TRANS	1		
	41	QMPE090-183-JD	POWER CORD	1		
	42	-----	DECK CASEETTE	1		
	43	-----	CD MECHANISM	1		
	44	QYSBSF4008Z	TAPPING SCREW	4		
	45	QYSDSF3008N	TAPPING SCREW	19		
	46	QYSBSF3008Z	TAPPING SCREW	12		
	47	AH39-20002D	STRAIN RELIEF	1		

CD mechanism assembly and parts list

Block No. M 2 M M



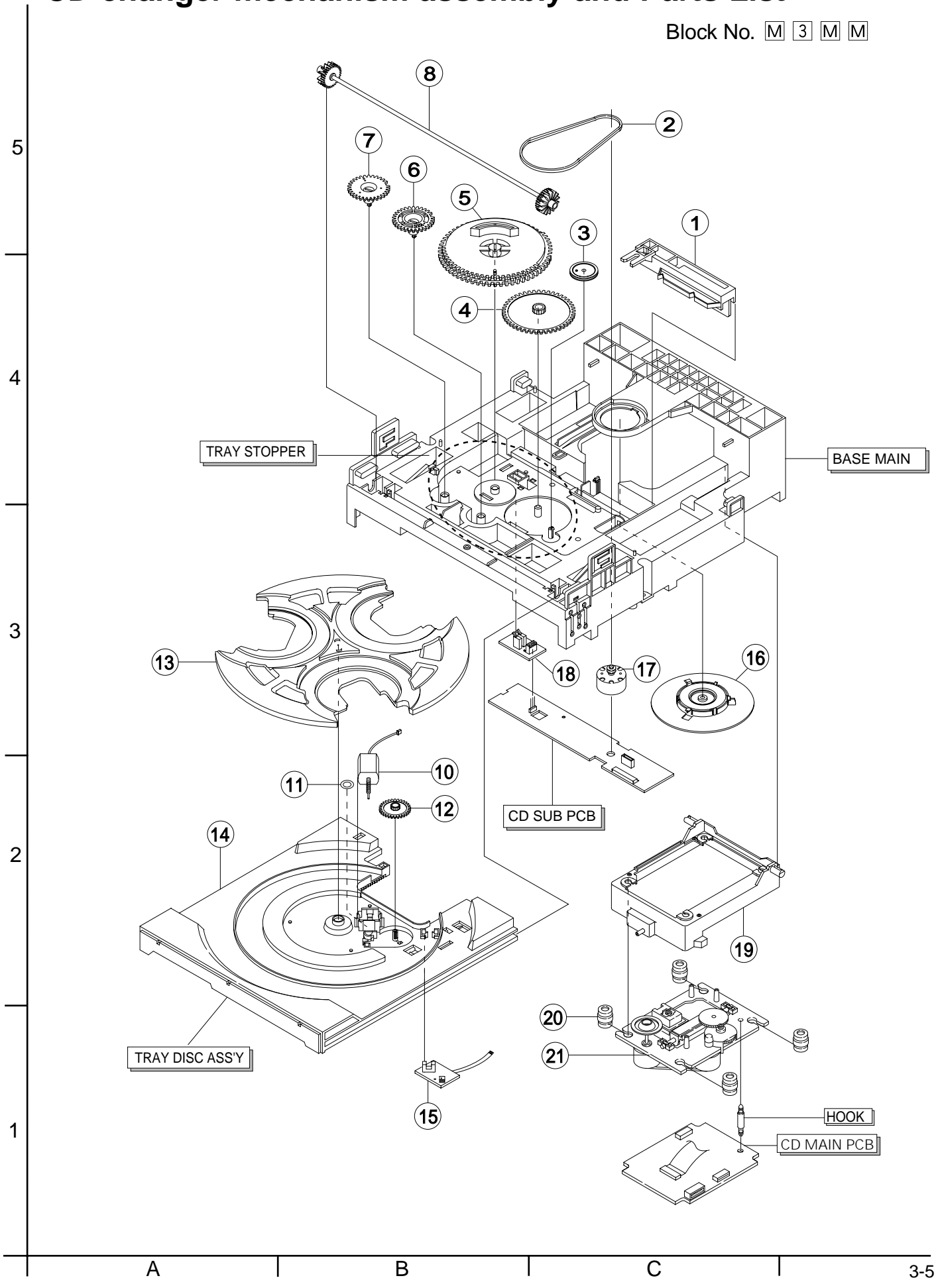
Parts list (CD mechanism)

Block No. M2MM

▲	Item	Parts number	Parts name	Q'ty	Description	Area
	1	AH30-00007A	OPTICAL PICK-UP	1		
	2	AJ70-00601A	SHAFT-PU	1		
	4	AJ60-00601D	SCREW	2	FEED MOTOR	
	5	6003-000294	SCREW	2	SHAFT	
	6	AJ60-00608A	WASHER	1	PLAIN	
	7	AJ66-00006A	GEAR(C)	1		
	8	AJ66-00005A	GEAR(B)	1		
	9	AH91-60150C	CHASSIS BASE Ass'y	1		
	14	3409-001078	LEAF SWITCH	1		
	15	AJ66-00004A	GEAR(A)	1	FEED	
	16	AJ31-00601E	MOTOR-FEED	1		
	17	AJ41-00601S	MOTOR-PCB ASSY	1		
	18	AJ37-00601A	CONNECTOR	1		

CD changer mechanism assembly and Parts List

Block No. M 3 M M



A

B

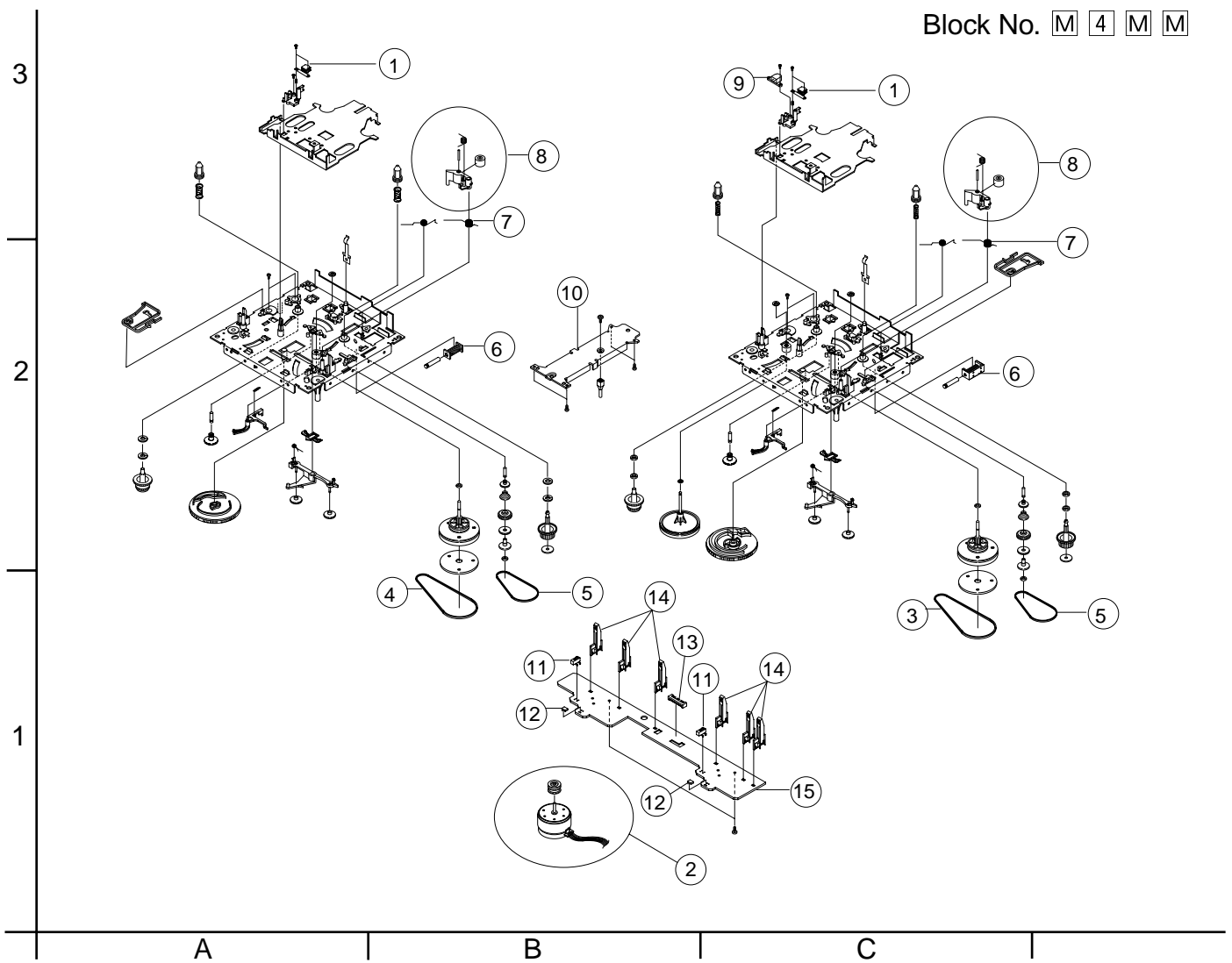
C

■ Parts list

Block No. M3MM

△	Item	Parts number	Parts name	Q'ty	Description	Area
	1	AH66-80022A	SLIDER CAM	1		
	2	AH66-60034A	ROAD BELT	1		
	3	AH66-20186A	PULLEY GEAR	1		
	4	AH66-20187A	ROAD GEAR	1		
	5	AH66-20188A	CAM GEAR	1		
	6	AH66-20189A	TRAY GEAR	1		
	7	AH66-20190A	CONVERT GEAR	1		
	8	AH66-20191A	SYNCRO GEAR	1		
	10	AH59-10098A	WORM-MOTOR ASSY	1		
	11	AH69-20044A	MOTOR CUSHION	1		
	12	AH66-20193A	ROULLETTE GEAR	1		
	13	AH66-90056A	ROULLETTE TRAY	1		
	14	AH66-90055A	DISK TRAY	1		
	15	AH59-10099A	SENSOR PCB ASSY	1		
	16	AH59-10100B	TABLE CHUCK ASS	1		
	17	AH59-10101A	MOTOR	1	ASS'Y PARTS	
	18	-----	SWITCH BOARD	1		
	19	AH66-30086A	LIFTER LEVER	1		
	20	AH73-10016A	RUBBER CUSHION	1		
	21	-----	CD MECHANISM	1		

Cassette mechanism assembly and parts list



Parts list (Cassette mechanism)

Block No. M4MM

Item	Parts number	Parts name	Q'ty	Description	Area
1	AH81-00141A	R/P HEAD	2	TC881CB	
2	AH81-00142A	C.MOTOR ASS'Y	1	ADR2400-SHU2L	
3	AH81-00143A	MAIN BELT 1	1	ADR2400-MAIN76.	
4	AH81-00144A	MAIN BELT 2	1	ADR2400-MAIN64.	
5	AH81-00101A	SUB BELT	2	ADR2400-FR34.7	
6	AH81-00102A	SOLENOIDE	2	ADR2400-1	
7	AH81-00282A	SPRING	2		
8	AH81-00283A	PINCH LOLLER	2	ASS'Y PARTS	
9	AH81-00284A	E-HEAD	1	TC2131F	
10	AH81-00285A	MOTOR BRACKET	1		
11	AH81-00286A	LEAF SWITCH	2	ADR2400-MODE	
12	AH81-00287A	PHOTO SENSOR	2	ADR2400-SENSOR	
13	AH81-00288A	CONNECTOR	1	ADR2400-16	
14	AH81-00289A	LEAF SWITCH	6	ADR2400-MXS0022	
15	AH81-00290A	P.C.BOARD	1		

Electrical parts list

■ Electrical parts list (Main board)

Block No. 01

△	Item	Parts number	Parts name	Remarks	Area	△	Item	Parts number	Parts name	Remarks	Area
	A-DEC	AH39-20002D	CONNECTOR				AR 32	2001-000290	C RESISTOR		
	AC 1	2201-000557	C CAPACITOR				AR 33	2001-000780	C RESISTOR		
	AC 2	2401-000419	E CAPACITOR				AR 34	2001-000429	C RESISTOR		
	AC 3	2201-000368	C CAPACITOR				AR 35	2001-000429	C RESISTOR		
	AC 4	2401-001164	E CAPACITOR				AR 35	2001-000411	C RESISTOR		
	AC 5	2201-000659	C CAPACITOR				AR 36	2001-000440	C RESISTOR		
	AC 6	2401-000357	E CAPACITOR				AR 37	2001-000591	C RESISTOR		
	AC 7	2401-000357	E CAPACITOR				AR 38	2001-000429	C RESISTOR		
	AC 8	2202-000817	C CAPACITOR				AR 39	2001-000429	C RESISTOR		
	AC 10	2202-000854	C CAPACITOR				AR100	2001-000449	C RESISTOR		
	AC 11	2202-000854	C CAPACITOR				AR200	2001-000290	C RESISTOR		
	AC 13	2202-000817	C CAPACITOR				AR201	2001-000290	C RESISTOR		
	AC 14	2201-000368	C CAPACITOR				AR204	2001-000734	C RESISTOR		
	AC 15	2201-000659	C CAPACITOR				AR205	2001-000734	C RESISTOR		
	AC 16	2401-000419	E CAPACITOR				CCW 1	3710-001567	CONNECTOR		
	AC 17	2201-000557	C CAPACITOR				CCW 2	3710-001571	CONNECTOR		
	AC 18	2401-001164	E CAPACITOR				CON 1	AH39-50001L	LEAD-FASTEN		
	AC 20	2301-000375	C CAPACITOR				DC 1	2301-000412	C CAPACITOR		
	AC 21	2301-000375	C CAPACITOR				DC 2	2301-000379	C CAPACITOR		
	AC 22	2401-001092	E CAPACITOR				DC 3	2301-000404	C CAPACITOR		
	AC 23	2401-002180	E CAPACITOR				DC 4	2301-000442	C CAPACITOR		
	AC 24	2401-002180	E CAPACITOR				DC 5	2201-000368	C CAPACITOR		
	AC 25	2401-001889	E CAPACITOR				DC 6	2201-000368	C CAPACITOR		
	AC 26	2401-000871	E CAPACITOR				DC 7	2401-001912	E CAPACITOR		
	AC100	2401-001912	E CAPACITOR				DC 9	2301-000390	C CAPACITOR		
	AC102	2401-000419	E CAPACITOR				DC 10	2301-000379	C CAPACITOR		
	AD 1	1N4148	GE DIODE				DC 11	2301-000370	C CAPACITOR		
	AD 2	1N4148	GE DIODE				DC 12	2301-000370	C CAPACITOR		
	AD 3	1N4148	GE DIODE				DC 13	2401-001022	E CAPACITOR		
	AD 10	1N4148	GE DIODE				DC 14	2401-001511	E CAPACITOR		
△	AIC 1	STK402-040	IC	POWER AMP			DC 15	2401-000240	E CAPACITOR		
	AJACK	3716-000209	TERMINAL BLOCK				DC 16	2301-000474	C CAPACITOR		
	AJW 1	AH39-00157D	LEAD-CONNECTOR				DC 17	2301-000393	C CAPACITOR		
	AQ 1	KSD471-YTA	TRANSISTOR				DC 18	2301-000375	C CAPACITOR		
	AQ 2	KSD471-YTA	TRANSISTOR				DC 19	2401-002180	E CAPACITOR		
	AQ 6	KSR2003TA	TRANSISTOR				DC 20	2401-001954	E CAPACITOR		
	AQ 7	KSA708-YTA	TRANSISTOR				DC 21	2401-001022	E CAPACITOR		
	AQ 8	KSA928A	TRANSISTOR				DC 22	2202-000781	C CAPACITOR		
	AQ 9	KSD471-YTA	TRANSISTOR				DC 23	2401-001511	E CAPACITOR		
	AQ 10	KSD471-YTA	TRANSISTOR				DC 24	2401-000795	E CAPACITOR		
	AR 1	2001-000429	C RESISTOR				DC 25	2401-001022	E CAPACITOR		
	AR 2	2001-000773	C RESISTOR				DC 26	2201-000674	C CAPACITOR		
	AR 3	2001-000273	C RESISTOR				DC 27	2301-000400	C CAPACITOR		
	AR 4	2001-000281	C RESISTOR				DC 31	2401-001080	E CAPACITOR		
	AR 5	2001-000864	C RESISTOR				DC 32	2401-001022	E CAPACITOR		
	AR 6	2001-000924	C RESISTOR				DC 33	2401-001912	E CAPACITOR		
	AR 7	2001-000864	C RESISTOR				DC 34	2401-001080	E CAPACITOR		
	AR 8	2001-001153	C RESISTOR				DC 36	2201-000674	C CAPACITOR		
	AR 9	2003-000390	OM RESISTOR				DC 37	2301-000407	C CAPACITOR		
	AR 10	2003-000390	OM RESISTOR				DC 38	2401-001022	E CAPACITOR		
	AR 11	2003-000390	OM RESISTOR				DC 39	2401-001511	E CAPACITOR		
	AR 12	2003-000390	OM RESISTOR				DC 40	2202-000781	C CAPACITOR		
	AR 17	2001-000028	C RESISTOR				DC 41	2401-001022	E CAPACITOR		
	AR 18	2001-000890	C RESISTOR				DC 42	2301-000375	C CAPACITOR		
	AR 19	2001-000793	C RESISTOR				DC 43	2202-000781	C CAPACITOR		
	AR 20	2001-000864	C RESISTOR				DC 44	2401-002180	E CAPACITOR		
	AR 23	2001-000273	C RESISTOR				DC 45	2202-000781	C CAPACITOR		
	AR 24	2001-000429	C RESISTOR				DC 47	2301-000400	C CAPACITOR		
	AR 25	2001-000780	C RESISTOR				DC 48	2202-000796	C CAPACITOR		
	AR 26	2001-000290	C RESISTOR				DC 49	2401-000240	E CAPACITOR		
	AR 27	2001-000281	C RESISTOR				DC 50	2401-001511	E CAPACITOR		
	AR 30	2003-000689	OM RESISTOR				DC 51	2301-000393	C CAPACITOR		
	AR 31	2003-000689	OM RESISTOR				DC 52	2401-001022	E CAPACITOR		

■ Electrical parts list (Main board)

Block No. 01

△	Item	Parts number	Parts name	Remarks	Area	△	Item	Parts number	Parts name	Remarks	Area
	DC 54	2301-000390	C CAPACITOR				DR 22	2001-000864	C RESISTOR		
	DC 55	2301-000370	C CAPACITOR				DR 23	2001-000003	C RESISTOR		
	DC 56	2301-000370	C CAPACITOR				DR 24	2001-000786	C RESISTOR		
	DC 57	2301-000379	C CAPACITOR				DR 25	2001-000890	C RESISTOR		
	DC 58	2301-000474	C CAPACITOR				DR 26	2001-000702	C RESISTOR		
	DC 59	2401-000438	E CAPACITOR				DR 27	2001-000325	C RESISTOR		
	DC 60	2401-000438	E CAPACITOR				DR 28	2001-000290	C RESISTOR		
	DC 61	2401-001022	E CAPACITOR				DR 40	2001-000449	C RESISTOR		
	DC 62	2401-001912	E CAPACITOR				DR 41	2001-000734	C RESISTOR		
	DC 63	2202-000821	C CAPACITOR				DR 42	2001-000591	C RESISTOR		
	DC 64	2202-000821	C CAPACITOR				DR 43	2001-000258	C RESISTOR		
	DC 70	2401-001895	E CAPACITOR				DR 47	2001-000522	C RESISTOR		
	DC 71	2202-000781	C CAPACITOR				DR 48	2001-000591	C RESISTOR		
	DC 72	2202-000781	C CAPACITOR				DR 49	2001-000734	C RESISTOR		
	DC 73	2301-000407	C CAPACITOR				DR 50	2001-000613	C RESISTOR		
	DC 74	2202-000243	C CAPACITOR				DR 58	2001-000325	C RESISTOR		
	DC 75	2202-000243	C CAPACITOR				DR 59	2001-000331	C RESISTOR		
	DD 1	1N4148	GE DIODE				DR 61	2001-000734	C RESISTOR		
	DD 2	1N4148	GE DIODE				DR 62	2001-000786	C RESISTOR		
	DD 3	1N4148	GE DIODE				DR 63	2001-000591	C RESISTOR		
	DD 4	1N4148	GE DIODE				DR 64	2001-000290	C RESISTOR		
	DIC 1	KA22291	TRANSISTOR	PREAMP			DR 65	2001-000429	C RESISTOR		
	DIC 2	KA4558	TRANSISTOR	OP AMP			DR 66	2001-000003	C RESISTOR		
	DL 1	AH26-10002Y	COIL	BIAS-TRAP			DR 67	2001-000924	C RESISTOR		
	DL 2	AH26-10002Y	COIL	BIAS-TRAP			DR 68	2001-000290	C RESISTOR		
	DL 5	AH27-00018A	COIL	BAIS-OSC 85K			DR 69	2001-000331	C RESISTOR		
	DQ 1	KSC2331-Y-TA	TRANSISTOR				DR 70	2001-000003	C RESISTOR		
	DQ 2	KSA928A	TRANSISTOR				DR 71	2001-000397	C RESISTOR	RN 1/8T 180K-J	
	DQ 3	KSC945-YTA	TRANSISTOR				DR 72	2001-000977	C RESISTOR		
	DQ 4	KSR1003TA	TRANSISTOR				DR 73	2001-000449	C RESISTOR		
	DQ 5	KSC1008-YTA	TRANSISTOR				DR 74	2001-000786	C RESISTOR		
	DQ 6	KSC1008-YTA	TRANSISTOR				DR 75	2001-000449	C RESISTOR		
	DQ 7	KSC1008-YTA	TRANSISTOR				DR 76	2001-000429	C RESISTOR		
	DQ 8	KSC1008-YTA	TRANSISTOR				DR 77	2001-000522	C RESISTOR		
	DQ 9	KSR2003TA	TRANSISTOR				DR 78	2001-000734	C RESISTOR		
	DQ 10	KSR1003TA	TRANSISTOR				DR 79	2001-000449	C RESISTOR		
	DQ 11	KSC945-YTA	TRANSISTOR				DR 80	2001-000449	C RESISTOR		
	DQ 12	KSC945-YTA	TRANSISTOR				DR 81	2001-000449	C RESISTOR		
	DQ 13	KSC945-YTA	TRANSISTOR				DR 82	2001-000449	C RESISTOR		
	DQ 14	KSC945-YTA	TRANSISTOR				DR 83	2001-000449	C RESISTOR		
	DQ 15	KSR2003TA	TRANSISTOR				DR 84	2001-000449	C RESISTOR		
	DQ 16	KSC945-YTA	TRANSISTOR				DR 85	2001-000786	C RESISTOR		
	DQ 17	KSC945-YTA	TRANSISTOR				DR 86	2001-000734	C RESISTOR		
	DQ 18	KSR2003TA	TRANSISTOR				DR 87	2001-000522	C RESISTOR		
	DQ 20	KSR1003TA	TRANSISTOR				DR 88	2001-000449	C RESISTOR		
	DR 1	2001-000429	C RESISTOR				DR 89	2001-000008	C RESISTOR		
	DR 2	2001-000440	C RESISTOR				DR 90	2001-000591	C RESISTOR		
	DR 3	2001-000734	C RESISTOR				DR 91	2001-000008	C RESISTOR		
	DR 5	2001-000290	C RESISTOR				DR 92	2001-000591	C RESISTOR		
	DR 6	2001-001095	C RESISTOR				DR 93	2001-000591	C RESISTOR		
	DR 7	2001-000786	C RESISTOR				DR 94	2001-000864	C RESISTOR		
	DR 8	2001-000591	C RESISTOR				DR 95	2001-000449	C RESISTOR		
	DR 9	2001-000290	C RESISTOR				DR 96	2001-000864	C RESISTOR		
	DR 10	2001-000429	C RESISTOR				DR 97	2001-000525	C RESISTOR		
	DR 11	2001-000708	C RESISTOR				DR 98	2001-000449	C RESISTOR		
	DR 12	2001-000924	C RESISTOR				DR 99	2001-000563	C RESISTOR		
	DR 13	2001-000005	C RESISTOR				DR100	2001-000258	C RESISTOR		
	DR 15	2001-000290	C RESISTOR				DR101	2001-000281	C RESISTOR		
	DR 16	2001-000290	C RESISTOR				DR102	2001-000281	C RESISTOR		
	DR 18	2001-000734	C RESISTOR				DVR 1	2103-000248	SEMI F.VR.		
	DR 19	2001-000290	C RESISTOR				DVR 2	2103-000248	SEMI F.VR.		
	DR 20	2001-000924	C RESISTOR				DVR 3	2103-000492	SEMI F.VR.		
	DR 21	2001-000331	C RESISTOR	RN 1/8T 180K-J			DW 1	3711-003111	CONNECTOR		

■ Electrical parts list (Main board)

Block No. 01

△	Item	Parts number	Parts name	Remarks	Area	△	Item	Parts number	Parts name	Remarks	Area
	DW 2	3711-003107	CONNECTOR				PC 10	2401-001954	E CAPACITOR		
	DW 3	3711-003107	CONNECTOR				PC 11	2401-001895	E CAPACITOR		
	EC 6	2401-000907	E CAPACITOR				PC 13	2401-001895	E CAPACITOR		
	FC 1	2301-000375	C CAPACITOR				PC 14	2401-001954	E CAPACITOR		
	FC 2	2301-000375	C CAPACITOR				PC 15	2401-001954	E CAPACITOR		
	FC 3	2201-000928	C CAPACITOR				PC 16	2401-001912	E CAPACITOR		
	FC 4	2401-001912	E CAPACITOR				PC 17	2401-000475	E CAPACITOR		
	FC 5	2401-001511	E CAPACITOR				PC 18	2401-001511	E CAPACITOR		
	FC 7	2301-000375	C CAPACITOR				PC 19	2401-000475	E CAPACITOR		
	FC 8	2201-000928	C CAPACITOR				PC 20	2401-000230	E CAPACITOR		
	FC 9	2401-001912	E CAPACITOR				PC 21	2401-001954	E CAPACITOR		
	FC 10	2202-000781	C CAPACITOR				PC 23	2201-000783	C CAPACITOR		
	FC 11	2301-000375	C CAPACITOR				PC 24	2201-000783	C CAPACITOR		
	FC 12	2202-000781	C CAPACITOR				PC 25	2401-001538	E CAPACITOR		
	FC 14	2401-001912	E CAPACITOR				PC 26	2401-001538	E CAPACITOR		
	FC 15	2401-001912	E CAPACITOR				PC 27	2301-000449	C CAPACITOR		
	FC 16	2201-000368	C CAPACITOR				PC 28	2401-000795	E CAPACITOR		
	FC 17	2201-000368	C CAPACITOR				PC 29	2401-001511	E CAPACITOR		
	FC 18	2401-001954	E CAPACITOR				PC 30	2201-000565	C CAPACITOR		
	FC 19	2401-001912	E CAPACITOR				PC 31	2401-001895	E CAPACITOR		
	FC 20	2401-001912	E CAPACITOR				PC 32	2401-001895	E CAPACITOR		
	FC 21	2301-000379	C CAPACITOR				PC 33	2202-000797	C CAPACITOR		
	FC 22	2201-000504	C CAPACITOR				PCW 1	AH39-00144A	LEAD-CONNECTOR	9P	
	FC 23	2401-001912	E CAPACITOR				PD 2	1N5392	DIODE		
	FC 24	2401-001912	E CAPACITOR				PD 3	1N5392	DIODE		
	FC 25	2401-001912	E CAPACITOR				PD 4	1N5392	DIODE		
	FC 26	2401-001912	E CAPACITOR				PD 5	1N5392	DIODE		
	FD 1	1N4148	GE DIODE				PD 6	1N4002	DIODE		
	FIC 1	LC75341	IC	VOLUME/TONE CON 4P/2C			PD 7	1N4002	DIODE		
	FJACK	3722-000377	JACK-RCA				PD 8	1N4002	DIODE		
	FQ 1	KSR1009TA	TRANSISTOR				PD 9	1N5392	DIODE		
	FQ 2	KSR1009TA	TRANSISTOR				PD 10	1N5392	DIODE		
	FQ 3	KSR2003TA	TRANSISTOR				PIC 1	KA7812-ABC	IC	REGULATOR	
	FQ 4	KSD471-YTA	TRANSISTOR			△	PIC 2	KA7805-AB	IC	REGULATOR +	
	FR 1	2001-000613	C RESISTOR				PIC 3	KA7912-AB	IC	REGULATOR -	
	FR 2	2001-000241	C RESISTOR				PL 1	2701-000116	INDUCTOR-AXIAL		
	FR 3	2001-000023	C RESISTOR				PL 2	2701-000298	INDUCTOR-AXIAL	AX470UH	
	FR 4	2001-000281	C RESISTOR			△	PQ 1	2SB1566/EF/	TRANSISTOR	POWER	
	FR 5	2001-000281	C RESISTOR			△	PQ 2	2SB1566/EF/	TRANSISTOR	POWER	
	FR 6	2001-000281	C RESISTOR				PQ 3	KSC1009-YTA	TRANSISTOR		
	FR 7	2001-000613	C RESISTOR				PQ 4	KSC945-YTA	TRANSISTOR		
	FR 8	2001-000411	C RESISTOR				PQ 5	KSA708-YTA	TRANSISTOR		
	FR 9	2001-000008	C RESISTOR				PQ 6	KSA928A	TRANSISTOR		
	FR 11	2001-000397	C RESISTOR				PQ 9	KSR1003TA	TRANSISTOR		
	FR 12	2001-000786	C RESISTOR				PQ 10	KSA708-YTA	TRANSISTOR		
	FR 13	2001-000613	C RESISTOR			△	PQ 11	KTC4369-Y	TRANSISTOR	POWER	
	FR 14	2001-000786	C RESISTOR			△	PR 1	2003-000690	OM RESISTOR		
	FR 15	2001-000702	C RESISTOR				PR 3	2001-000786	C RESISTOR		
	FR 16	2001-000429	C RESISTOR				PR 4	2001-000793	C RESISTOR		
	FR 17	2001-000429	C RESISTOR			△	PR 5	2008-000135	FUSE RESISTOR		
	FR 18	2001-000977	C RESISTOR			△	PR 6	2008-000135	FUSE RESISTOR		
	FR 19	2001-000221	C RESISTOR			△	PR 7	2008-000135	FUSE RESISTOR		
	FW 1	3711-004109	CONNECTOR				PR 8	2001-000890	C RESISTOR		
	FW 2	3711-002809	CONNECTOR				PR 9	2001-000613	C RESISTOR		
	PC 1	2401-002592	E CAPACITOR				PR 10	2001-000734	C RESISTOR		
	PC 2	2401-002592	E CAPACITOR				PR 11	2003-000701	OM RESISTOR		
	PC 3	2201-000783	C CAPACITOR				PR 12	2001-001096	C RESISTOR		
	PC 4	2201-000783	C CAPACITOR				PR 13	2001-001153	C RESISTOR		
	PC 5	2201-000783	C CAPACITOR				PR 14	2001-000290	C RESISTOR		
	PC 6	2201-000783	C CAPACITOR				PR 15	2001-000522	C RESISTOR		
	PC 7	2401-003116	E CAPACITOR				PR 16	2001-000786	C RESISTOR		
	PC 8	2401-001413	E CAPACITOR				PR 17	2001-000734	C RESISTOR		
	PC 9	2401-001954	E CAPACITOR				PR 18	2001-000977	C RESISTOR		

■ Electrical parts list (Main board)

Block No. 01

△	Item	Parts number	Parts name	Remarks	Area
	PR 19	2001-000290	C RESISTOR		
△	PR 20	2003-000690	OM RESISTOR		
	PR 21	2001-000290	C RESISTOR		
	PR 22	2001-000522	C RESISTOR		
	PR 23	2001-000780	C RESISTOR		
	PR 26	2003-000468	OM RESISTOR		
	PR 27	2001-000027	C RESISTOR		
	PZD 1	TZP16A	ZENER DIODE		
	PZD 2	TZP16A	ZENER DIODE		
	PZD 3	UZP5.6B	ZENER DIODE		
	PZD 4	UZ5.1BSB	ZENER DIODE		
	PZD 5	UZP10B	ZENER DIODE		
	PZD 6	UZP10B	ZENER DIODE		
	PZD 8	UZP10B	ZENER DIODE		
△	R 100	2001-000977	C RESISTOR		
△	RC 1	2201-000546	C CAPACITOR		
	RCW 1	3711-001167	CONNECTOR	BOX 9P	
	RCW 2	3711-000190	CONNECTOR		
△	RF 1	3601-001204	FUSE	GMC-1.6A	
△	RR 1	2008-000135	FUSE RESISTOR		
△	RR 2	2008-000135	FUSE RESISTOR		
△	RR 3	2008-000137	FUSE RESISTOR		
△	RR 4	2008-000137	FUSE RESISTOR		
	RUCL1	3602-000147	FUSE CLIP		
	TO CH	AH39-50001L	LEAD-FASTEN		
	VR 32	2001-000786	C RESISTOR		
	VR 32	2001-000786	C RESISTOR		
	VR 35	2001-000786	C RESISTOR		
	VR 35	2001-000786	C RESISTOR		

■ Electrical parts list (Tuner board)

Block No. 02

△	Item	Parts number	Parts name	Remarks	Area	△	Item	Parts number	Parts name	Remarks	Area
	ANT	AH27-00012A	OSC COIL				TJ 1	3716-000210	ANT TARMINAL		
	FMPAK	AH40-00003A	TUNER PACK				TJ 2	3711-000814	CONNECTOR		
	HIC 1	LC72131D	IC	PLL			JW100	2007-000029	CHIP RESISTOR		
	HR 1	2007-000586	CHIP RESISTOR				TJW41	2007-000029	CHIP RESISTOR		
	OSC	AH27-00008A	OSC COIL				TJW42	2007-000029	CHIP RESISTOR		
	TC 1	2203-000609	C CAPASITOR				TL 2	AH26-10001E	IFT		
	TC 2	2203-001517	C CAPASITOR				TL 3	AH26-10020A	TRANS DET		
	TC 3	2203-000260	C CAPASITOR				TLPF1	AH26-00005A	IFT		
	TC 4	2401-001975	C CAPACITOR				TLPF2	AH26-00005A	IFT		
	TC 5	2203-000609	C CAPASITOR				TQ 1	KSC945-YTA	TRANSISTOR		
	TC 6	2203-000979	C CAPASITOR				TQ 2	KSC838-OTA	TRANSISTOR		
	TC 7	2203-000429	C CAPASITOR				TQ 3	KSC838-OTA	TRANSISTOR		
	TC 9	2401-001975	C CAPACITOR				TQ 4	KSA708-YTA	TRANSISTOR		
	TC 10	2203-000979	C CAPASITOR				TR 1	2001-000331	C RESISTOR		
	TC 11	2401-001912	E CAPACITOR				TR 2	2007-000300	CHIP RESISTOR		
	TC 12	2401-000419	E CAPACITOR				TR 3	2001-000449	C RESISTOR		
	TC 13	2203-000979	C CAPASITOR				TR 4	2007-000872	CHIP RESISTOR		
	TC 14	2201-000565	C CAPACITOR				TR 5	2001-000281	C RESISTOR		
	TC 15	2203-000979	C CAPASITOR				TR 6	2007-000030	CHIP RESISTOR		
	TC 16	2401-001954	E CAPACITOR				TR 7	2007-000518	CHIP RESISTOR		
	TC 17	2401-001912	E CAPACITOR				TR 8	2007-000822	CHIP RESISTOR		
	TC 18	2401-001968	C CAPACITOR				TR 9	2007-000468	CHIP RESISTOR		
	TC 19	2401-001912	E CAPACITOR				TR 10	2007-000308	CHIP RESISTOR		
	TC 20	2203-000260	C CAPASITOR				TR 11	2007-000572	CHIP RESISTOR		
	TC 21	2401-000240	E CAPACITOR				TR 12	2007-000686	CHIP RESISTOR		
	TC 23	2401-001954	E CAPACITOR				TR 13	2001-000515	C RESISTOR		
	TC 25	2401-001954	E CAPACITOR				TR 15	2007-000586	CHIP RESISTOR		
	TC 26	2401-000419	E CAPACITOR				TR 16	2001-000527	C RESISTOR		
	TC 27	2401-000419	E CAPACITOR				TR 17	2007-000981	CHIP RESISTOR		
	TC 28	2203-000260	C CAPASITOR				TR 18	2001-000449	C RESISTOR		
	TC 29	2203-000260	C CAPASITOR				TR 19	2007-000282	CHIP RESISTOR		
	TC 30	2401-000419	E CAPACITOR				TR 20	2007-000409	CHIP RESISTOR		
	TC 32	2203-001132	C CAPASITOR				TR 21	2007-000300	CHIP RESISTOR		
	TC 33	2203-000844	C CAPASITOR				TR 22	2007-000300	CHIP RESISTOR		
	TC 34	2401-000907	E CAPACITOR				TR 23	2007-000710	CHIP RESISTOR		
	TC 35	2203-000979	C CAPASITOR				TR 24	2007-000290	CHIP RESISTOR		
	TC 36	2401-001022	E CAPACITOR				TR 25	2007-001043	CHIP RESISTOR		
	TC 38	2401-001164	E CAPACITOR				TR 27	2007-001071	CHIP RESISTOR		
	TC 39	2201-000565	C CAPACITOR				TR 28	2007-000457	CHIP RESISTOR		
	TC 40	2202-000796	C CAPACITOR				TR 29	2007-000686	CHIP RESISTOR		
	TC 41	2203-000239	C CAPASITOR				TR 30	2001-000117	C RESISTOR		
	TC 42	2202-000796	C CAPACITOR				TR 32	2001-000429	C RESISTOR		
	TC 43	2401-001968	C CAPACITOR				TR 34	2001-000429	C RESISTOR		
	TC 44	2203-000260	C CAPASITOR				TR 35	2007-000493	CHIP RESISTOR		
	TC 45	2203-000979	C CAPASITOR				TR 36	2007-000493	CHIP RESISTOR		
	TC 46	2401-000240	E CAPACITOR				TR 37	2007-000586	CHIP RESISTOR		
	TC 47	2401-001895	E CAPACITOR				TR 38	2007-001177	CHIP RESISTOR		
	TC 48	2202-000807	C CAPASITOR				TR 39	2001-000290	C RESISTOR		
	TC 50	2203-001611	C CAPASITOR				TR 40	2001-000522	C RESISTOR		
	TC 51	2203-001611	C CAPASITOR				TR 40	2001-000522	C RESISTOR		
	TC 61	2203-001105	C CAPASITOR				TR 41	2001-000522	C RESISTOR		
	TC 62	2203-001105	C CAPASITOR				TR 42	2001-000734	C RESISTOR		
	TC 63	2203-001551	C CAPASITOR				TR 43	2007-000290	CHIP RESISTOR		
	TC 64	2203-001551	C CAPASITOR				TR 44	2001-000118	C RESISTOR		
	TC100	2201-000389	C CAPACITOR				TR 45	2007-000282	CHIP RESISTOR		
	TD 3	1N4148	GE DIODE				TR 46	2007-000300	CHIP RESISTOR		
	TD 4	1N4148	GE DIODE				TR 47	2007-000282	CHIP RESISTOR		
	TD 5	1N4148	GE DIODE				TR 48	2007-000300	CHIP RESISTOR		
	TD 6	1N4148	GE DIODE				TR 49	2007-000282	CHIP RESISTOR		
	TFL 1	2903-000119	CERAMIC FILTER	SFE10.7MJA-10-A			TR 50	2007-000300	CHIP RESISTOR		
	TFL 2	2903-000105	CERAMIC FILTER	10.7MHZ			TR 51	2007-000872	CHIP RESISTOR		
	TFL 4	14529-304-610	CERAMIC FILTER	AHCM2-450BL			TR 52	2007-000468	CHIP RESISTOR		
	TIC 1	LA1837	IC				TR 53	2007-000300	CHIP RESISTOR		

■ Electrical parts list (Tuner board)

Block No. 02

△	Item	Parts number	Parts name	Remarks	Area
	TR 54	2007-000300	CHIP RESISTOR		
	TR 55	2001-000429	C RESISTOR		
	TR 56	2007-000300	CHIP RESISTOR		
	TR 57	2001-000290	C RESISTOR		
	TR 58	2001-000273	C RESISTOR		
	TR 61	2001-000591	C RESISTOR		
	TR 62	2001-000591	C RESISTOR		
	TR100	2001-000527	C RESISTOR		
	TR101	2007-000033	CHIP RESISTOR		
	TR102	2007-000033	CHIP RESISTOR		
	TR103	2007-000033	CHIP RESISTOR		
	TR104	2007-000033	CHIP RESISTOR		
	TR105	2007-000029	CHIP RESISTOR		
	TSR 1	2103-000290	VR-SEMI F.VR		
	TWA 1	3710-001421	C/SOCKET	14P	
	TX 1	2801-000734	CRYSTAL UNIT	7.2MHZ	
	TZD 1	UZ7.5BSC	ZENER DIODE	7.5V	
	TZD 2	UZP5.1B	ZENER DIODE	5.1V	
	VVC 1	KV1260	VARI-CAPA		

■ Electrical parts list (Front board)

Block No. 03

△	Item	Parts number	Parts name	Remarks	Area
	GND 1	AH39-50001L	LEAD-FASTEN		
	REEYE	GP1U281R	REMOCON SENSOER		
	SW 1	3404-000165	TACT SWITCH		
	SW 2	3404-000165	TACT SWITCH		
	SW 3	3404-000165	TACT SWITCH		
	SW 4	3404-000165	TACT SWITCH		
	SW 5	3404-000165	TACT SWITCH		
	SW 6	3404-000165	TACT SWITCH		
	SW 7	3404-000165	TACT SWITCH		
	SW 8	3404-000165	TACT SWITCH		
	SW 9	3404-000165	TACT SWITCH		
	SW 10	3404-000165	TACT SWITCH		
	SW 11	3404-000165	TACT SWITCH		
	SW 12	3404-000165	TACT SWITCH		
	SW 13	3404-000165	TACT SWITCH		
	SW 14	3404-000165	TACT SWITCH		
	SW 15	3404-000165	TACT SWITCH		
	SW 16	3404-000165	TACT SWITCH		
	SW 17	3404-000165	TACT SWITCH		
	SW 18	3404-000165	TACT SWITCH		
	SW 19	3404-000165	TACT SWITCH		
	SW 20	3404-000165	TACT SWITCH		
	SW 21	3404-000165	TACT SWITCH		
	SW 22	3404-000165	TACT SWITCH		
	SW 23	3404-000165	TACT SWITCH		
	SW 24	3404-000165	TACT SWITCH		
	SW 25	3404-000165	TACT SWITCH		
	SW 27	3404-000165	TACT SWITCH		
	SW 28	3404-000165	TACT SWITCH		
	SW 29	3404-000165	TACT SWITCH		
	SW 30	3404-000165	TACT SWITCH		
	SW 31	3404-000165	TACT SWITCH		
	SW 32	3404-000165	TACT SWITCH		
	SW 33	3404-000165	TACT SWITCH		
	SW 34	3404-000165	TACT SWITCH		
	UC 1	2401-000475	E CAPACITOR		
	UC 2	2401-000475	E CAPACITOR		
	UC 3	2201-000565	C CAPACITOR		
	UC 4	2201-000565	C CAPACITOR		
	UC 5	2201-000565	C CAPACITOR		
	UC 6	2401-000244	E CAPACITOR		
	UC 7	2201-000825	C CAPACITOR		
	UC 8	2201-000825	C CAPACITOR		
	UC 9	2201-000247	C CAPACITOR		
	UC 10	2201-000247	C CAPACITOR		
	UC 11	2401-000475	E CAPACITOR		
	UC 12	2401-000759	E CAPACITOR		
	UC 13	2401-001952	E CAPACITOR		
	UC 15	2202-000854	C CAPACITOR		
	UC 16	2201-000300	C CAPACITOR		
	UC 17	2202-000797	C CAPACITOR		
	UC 18	2202-000797	C CAPACITOR		
	UC 30	2401-001355	E CAPACITOR		
	UCW 1	3711-004420	CONNECTOR	TMC-D10P	
	UCW 2	3711-004424	CONNECTOR	TMC-D20P	
	UCW 3	3708-000454	CONNECTOR	22P	
	UCW 7	3711-000906	CONNECTOR		
	UCW 8	3809-001146	CABLE FLAT		
	UCW8W	3708-000451	CONNECTOR	16P	
	UCW 9	AH39-00157A	LEAD CONNECTOR	3P	
	UD 20	1N4002	DIODE		
	UD 21	1N4002	DIODE		
	UD 22	1N4002	DIODE		
	UD 23	1N4148	GE DIODE		

Item	Parts number	Parts name	Remarks	Area
UD 24	1N4002	DIODE		
UD 25	1N4148	GE DIODE		
UD 27	1N4148	GE DIODE		
UD 28	1N4148	GE DIODE		
UD 29	1N4148	GE DIODE		
UD 30	1N4002	DIODE		
UIC 2	NJU3711M	IC		
ULD 1	LTL-1CHESS-UA	LED		
UQ 1	KSC945-YTA	TRANSISTOR		
UQ 2	KSC945-YTA	TRANSISTOR		
UQ 3	KSA928A	TRANSISTOR		
UQ 4	KSR1003TA	TRANSISTOR		
UQ 5	KSR1003TA	TRANSISTOR		
UQ 6	KSA928A	TRANSISTOR		
UQ 7	KSA928A	TRANSISTOR		
UQ 8	KSR1003TA	TRANSISTOR		
UQ 9	KSC945-YTA	TRANSISTOR		
UQ 10	KSR1003TA	TRANSISTOR		
UQ 15	KSR1003TA	TRANSISTOR		
UR 1	2001-000258	C RESISTOR		
UR 2	2001-000405	C RESISTOR	RN 1/8T 180-J	
UR 3	2001-000241	C RESISTOR		
UR 4	2001-000429	C RESISTOR		
UR 5	2001-000429	C RESISTOR		
UR 6	2001-000429	C RESISTOR		
UR 7	2001-000734	C RESISTOR		
UR 8	2001-000734	C RESISTOR		
UR 9	2001-000734	C RESISTOR		
UR 10	2001-000734	C RESISTOR		
UR 11	2001-000734	C RESISTOR		
UR 12	2001-000734	C RESISTOR		
UR 13	2001-000734	C RESISTOR		
UR 14	2001-000734	C RESISTOR		
UR 15	2001-000734	C RESISTOR		
UR 16	2001-000734	C RESISTOR		
UR 17	2001-000734	C RESISTOR		
UR 20	2001-000290	C RESISTOR		
UR 21	2001-000290	C RESISTOR		
UR 22	2001-000290	C RESISTOR		
UR 23	2001-000290	C RESISTOR		
UR 24	2001-000281	C RESISTOR		
UR 25	2001-000429	C RESISTOR		
UR 26	2001-000429	C RESISTOR		
UR 27	2001-000429	C RESISTOR		
UR 28	2001-000429	C RESISTOR		
UR 29	2001-000429	C RESISTOR		
UR 30	2001-000429	C RESISTOR		
UR 31	2001-000591	C RESISTOR		
UR 32	2001-000429	C RESISTOR		
UR 33	2001-000429	C RESISTOR		
UR 34	2001-000429	C RESISTOR		
UR 35	2001-000429	C RESISTOR		
UR 36	2001-000429	C RESISTOR		
UR 37	2001-000429	C RESISTOR		
UR 38	2001-000290	C RESISTOR		
UR 39	2001-000290	C RESISTOR		
UR 40	2001-000290	C RESISTOR		
UR 41	2001-000290	C RESISTOR		
UR 42	2001-000281	C RESISTOR		
UR 43	2001-000281	C RESISTOR		
UR 44	2001-000281	C RESISTOR		
UR 45	2001-000281	C RESISTOR		
UR 46	2001-000734	C RESISTOR		

■ Electrical parts list (Front board)

Block No. 03

△	Item	Parts number	Parts name	Remarks	Area
	UR 47	2001-000449	C RESISTOR		
	UR 48	2001-000591	C RESISTOR		
	UR 49	2001-000449	C RESISTOR		
	UR 50	2001-000258	C RESISTOR		
	UR 51	2001-001178	C RESISTOR		
	UR 52	2001-000241	C RESISTOR		
	UR 53	2001-000429	C RESISTOR		
	UR 54	2001-000734	C RESISTOR		
	UR 55	2001-000591	C RESISTOR		
	UR 56	2001-000508	C RESISTOR		
	UR 57	2001-000793	C RESISTOR		
	UR 58	2001-000429	C RESISTOR		
	UR 59	2001-000241	C RESISTOR		
	UR 60	2001-000258	C RESISTOR		
	UR 61	2001-000273	C RESISTOR		
	UR 62	2001-000273	C RESISTOR		
	UR 63	2001-000273	C RESISTOR		
	UR 64	2001-000273	C RESISTOR		
	UR 65	2001-000429	C RESISTOR		
	UR 66	2001-000429	C RESISTOR		
	UR 67	2001-000449	C RESISTOR		
	UR 68	2001-000281	C RESISTOR		
	UR 69	2001-000281	C RESISTOR		
	UR 70	2001-000281	C RESISTOR		
	UR 71	2001-000429	C RESISTOR		
	UR 72	2001-000522	C RESISTOR		
	UR 73	2001-000429	C RESISTOR		
	UR 74	2001-000429	C RESISTOR		
	UR 75	2001-000429	C RESISTOR		
	UR 76	2001-000429	C RESISTOR		
	UR 77	2001-000429	C RESISTOR		
	UR 78	2001-000429	C RESISTOR		
	UR 79	2001-000429	C RESISTOR		
	UR 80	2001-000290	C RESISTOR		
	UR 81	2001-000290	C RESISTOR		
	UR 82	2001-000429	C RESISTOR		
	UR 83	2001-000273	C RESISTOR		
	UR 84	2001-000977	C RESISTOR		
	UR 85	2001-000411	C RESISTOR		
	UR 86	2001-000786	C RESISTOR		
	UR 87	2001-000290	C RESISTOR		
	UR 88	2001-000613	C RESISTOR		
	UR 89	2001-000613	C RESISTOR		
	UR 90	2001-000613	C RESISTOR		
	UR 91	2001-001178	C RESISTOR		
	UR 92	2001-001178	C RESISTOR		
	UR 93	2001-000449	C RESISTOR		
	UR 94	2001-000591	C RESISTOR		
	UR 95	2001-000290	C RESISTOR		
	UR 95	2001-000734	C RESISTOR		
	UR 96	2001-000977	C RESISTOR		
	UR 97	2001-000411	C RESISTOR		
	UR 99	2001-000522	C RESISTOR		
	UR201	2001-000273	C RESISTOR		
	UVR 1	3406-001047	ROTARY SWITCH		
	UVR 2	2103-000492	SEMI F.VR.		
	UX 1	2802-000181	CERAMIC RESONAT	6MHZ	
	UX 2	2801-001394	CRYSTAL-UNIT	32.768KHZ	
	UXR 1	2001-000850	C RESISTOR		
	UXR 2	2001-000295	C RESISTOR		
	VFDHL	AH61-00252A	HOLDER-VFD		
	VFD	AH07-00016A	FL DISPLAY TUBE		

■ Electrical parts list (CD board)

Block No. 04

△	Item	Parts number	Parts name	Remarks	Area	△	Item	Parts number	Parts name	Remarks	Area
	NC 1	2203-000260	C CAPASITOR				NC901	2203-000206	C CAPACITOR		
	NC 54	2401-001952	E CAPACITOR				NC903	2203-001537	C CAPACITOR		
	CW101	AH39-20025S	CONNECTOR				NC904	2401-000240	E CAPACITOR		
	CW102	AH39-20561P	CONNECTOR				NC905	2203-000260	C CAPASITOR		
	CW500	3711-000906	CONNECTOR				ND200	1N4148	GE DIODE		
	NC100	2203-000892	C CAPACITOR				ND201	1N4148	GE DIODE		
	NC101	2203-000802	C CAPACITOR				ND202	1N4148	GE DIODE		
	NC102	2203-001551	C CAPASITOR				ND203	1N4148	GE DIODE		
	NC103	2203-000260	C CAPASITOR				NIC05	KA78L05Z-TA	IC	POSI.ADJUST REG	
	NC104	2203-001537	C CAPACITOR				IC925	KA9258D	IC	MOTOR DRIVER	
	NC105	2401-000240	E CAPACITOR				IC922	KB9223	IC	ASP	
	NC106	2203-000892	C CAPACITOR				IC928	KS9286B	IC	DSP	
	NC106	2202-000817	C CAPACITOR				NL100	2701-000114	INDUCTOR-AXIAL	10UH	
	NC107	2203-000206	C CAPACITOR				NL101	2701-000111	INDUCTOR-AXIAL	100UH	
	NC108	2203-000206	C CAPACITOR				NL102	2701-000111	INDUCTOR-AXIAL	100UH	
	NC110	2203-000495	C CAPACITOR				NL105	3301-000325	CORE-FERRITE BE		
	NC111	2203-000802	C CAPACITOR				NL300	3301-000297	CORE-FERRITE		
	NC112	2203-000260	C CAPASITOR				NL301	3301-000297	CORE-FERRITE		
	NC113	2203-000260	C CAPASITOR				NL302	3301-000297	CORE-FERRITE		
	NC114	2401-000419	E CAPACITOR				Q1501	KSA928A	TRANSISTOR		
	NC115	2203-001137	C CAPACITOR				Q1502	KSA812	TRANSISTOR		
	NC116	2203-000260	C CAPASITOR				NR 1	2001-000429	C RESISTOR		
	NC117	2203-000477	C CAPACITOR				NR 2	2001-000429	C RESISTOR		
	NC118	2203-000787	C CAPACITOR				NR 3	2001-000429	C RESISTOR		
	NC119	2203-000206	C CAPACITOR				NR 4	2007-000468	CHIP RESISTOR		
	NC120	2203-000206	C CAPACITOR				NR 5	2007-000468	CHIP RESISTOR		
	NC121	2203-000206	C CAPACITOR				NR 6	2007-000468	CHIP RESISTOR		
	NC122	2401-001952	E CAPACITOR				NR 7	2007-000468	CHIP RESISTOR		
	NC124	2401-001324	E CAPACITOR				NR 8	2001-000429	C RESISTOR		
	NC125	2203-000802	C CAPACITOR				NR 10	2007-000468	CHIP RESISTOR		
	NC190	2203-000429	C CAPASITOR				NR 11	2007-000468	CHIP RESISTOR		
	NC200	2203-000979	C CAPASITOR				NR 12	2007-000468	CHIP RESISTOR		
	NC201	2203-001551	C CAPASITOR				NR 13	2007-000395	CHIP RESISTOR		
	NC202	2203-001619	C CAPACITOR				NR100	2007-000355	CHIP RESISTOR		
	NC203	2203-001619	C CAPACITOR				NR101	2007-000593	CHIP RESISTOR		
	NC204	2401-001324	E CAPACITOR				NR103	2007-000395	CHIP RESISTOR		
	NC205	2203-000260	C CAPASITOR				NR104	2007-000338	CHIP RESISTOR		
	NC300	2202-000796	C CAPACITOR				NR105	2007-000830	CHIP RESISTOR		
	NC301	2401-000778	E CAPACITOR				NR106	2001-000319	C RESISTOR		
	NC400	2202-000243	C CAPACITOR				NR107	2007-000338	CHIP RESISTOR		
	NC50L	2401-001952	E CAPACITOR				NR108	2007-000941	CHIP RESISTOR		
	NC50R	2401-001952	E CAPACITOR				NR109	2007-000282	CHIP RESISTOR		
	NC501	2401-000240	E CAPACITOR				NR111	2007-000941	CHIP RESISTOR		
	NC502	2203-000260	C CAPASITOR				NR112	2007-001039	CHIP RESISTOR		
	NC503	2203-000260	C CAPASITOR				NR113	2001-000977	C RESISTOR		
	NC504	2203-000260	C CAPASITOR				NR114	2007-000477	CHIP RESISTOR		
	NC52L	2203-001537	C CAPACITOR				NR115	2007-000444	CHIP RESISTOR		
	NC52R	2203-001537	C CAPACITOR				NR116	2007-001195	CHIP RESISTOR		
	NC53L	2203-000260	C CAPASITOR				NR117	2007-000898	CHIP RESISTOR		
	NC53R	2203-000260	C CAPASITOR				NR119	2007-000395	CHIP RESISTOR		
	NC55L	2401-001952	E CAPACITOR				NR120	2007-000355	CHIP RESISTOR		
	NC55R	2401-001952	E CAPACITOR				NR121	2007-000355	CHIP RESISTOR		
	NC600	2203-000206	C CAPACITOR				NR200	2007-000653	CHIP RESISTOR		
	NC601	2401-001895	E CAPACITOR				NR201	2007-000686	CHIP RESISTOR		
	NC602	2203-000260	C CAPASITOR				NR202	2007-000686	CHIP RESISTOR		
	NC603	2203-001537	C CAPACITOR				NR203	2007-000282	CHIP RESISTOR		
	NC604	2203-000979	C CAPASITOR				NR204	2007-000355	CHIP RESISTOR		
	NC700	2401-000778	E CAPACITOR				NR300	2007-000282	CHIP RESISTOR		
	NC701	2401-000778	E CAPACITOR				NR400	2007-000409	CHIP RESISTOR		
	NC702	2401-000240	E CAPACITOR				NR50L	2007-000586	CHIP RESISTOR		
	NC703	2401-001102	E CAPACITOR				NR50R	2007-000586	CHIP RESISTOR		
	NC800	2203-000260	C CAPASITOR				NR52L	2007-000653	CHIP RESISTOR		
	NC804	2203-000260	C CAPASITOR				NR52R	2007-000653	CHIP RESISTOR		

■ Electrical parts list (CD board)

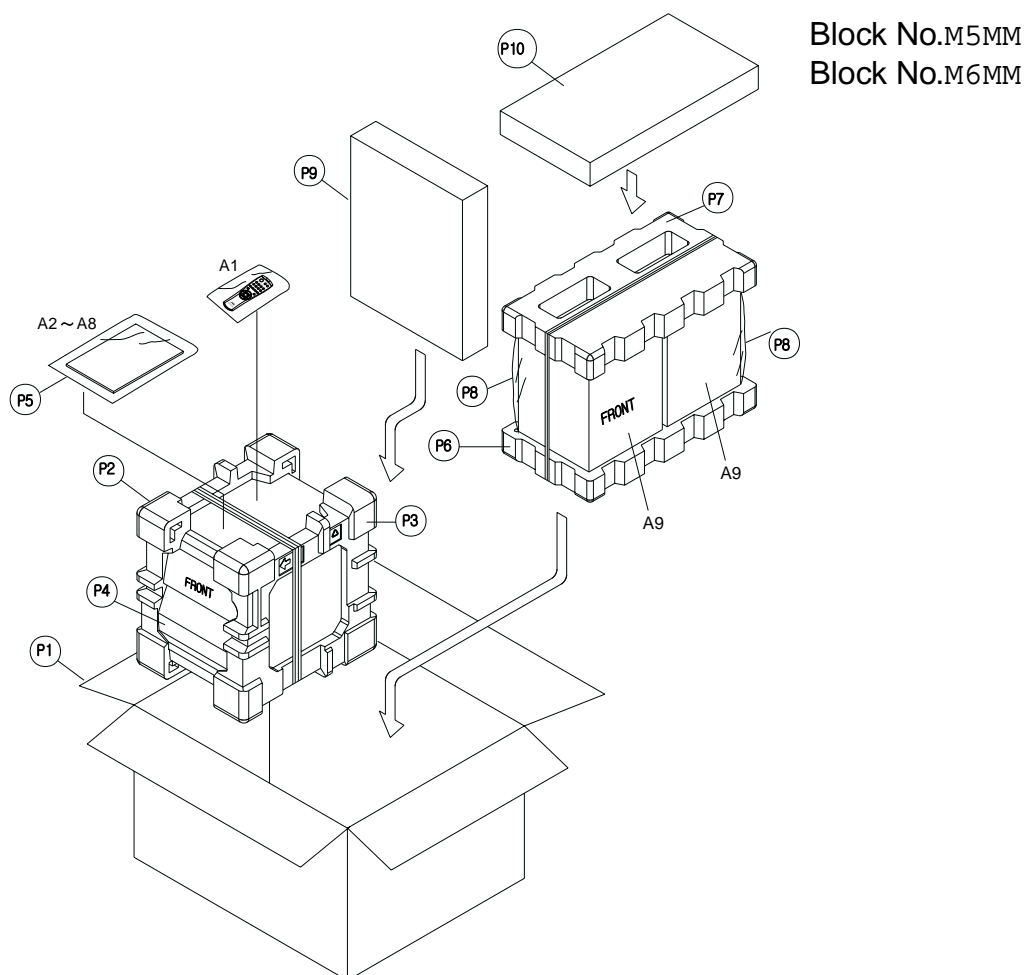
Block No. 04

△	Item	Parts number	Parts name	Remarks	Area
	NR53L	2007-000872	CHIP RESISTOR		
	NR53R	2007-000872	CHIP RESISTOR		
	NR54L	2007-000468	CHIP RESISTOR		
	NR54R	2007-000468	CHIP RESISTOR		
	NR55L	2007-000872	CHIP RESISTOR		
	NR55R	2007-000872	CHIP RESISTOR		
	NR555	2008-000140	C RESISTOR		
	NR57L	2007-000282	CHIP RESISTOR		
	NR57R	2007-000282	CHIP RESISTOR		
	NR602	2007-000300	CHIP RESISTOR		
	NR603	2007-000300	CHIP RESISTOR		
	NR604	2007-000468	CHIP RESISTOR		
	NR606	2007-000282	CHIP RESISTOR		
	NR804	2007-000468	CHIP RESISTOR		
	NR994	2007-001208	CHIP RESISTOR		
	NR995	2007-000830	CHIP RESISTOR		
	NR996	2007-000830	CHIP RESISTOR		
	NR997	2007-000830	CHIP RESISTOR		
	NR998	2007-000830	CHIP RESISTOR		
	NR999	2007-001208	CHIP RESISTOR		
	XF100	2802-000211	CERAMIC RESONAT	16.93MHZ	
	SC 1	2203-000260	C CAPASITOR		
	SC 2	2203-000260	C CAPASITOR		
	SC 5	2401-000795	E CAPACITOR		
	SC 6	2203-000260	C CAPASITOR		
	SC 14	2401-000240	E CAPACITOR		
	SCO 4	KA78L05Z-TA	IC	POSI.ADJUST REG	
	SCW 1	3708-001438	CONNECTOR	22P	
	SCW 5	3708-001131	CONNECTOR	5P	
	SCW 7	3711-003379	CONNECTOR		
	SIC 1	KA3082	IC	MOTOR DRIVER	
	SIC 2	KA3082	IC	MOTOR DRIVER	
	SL 1	2701-000179	INDUCTOR-AXIAL	33UH	
	SR 1	2001-000027	C RESISTOR		
	SR 2	2007-000872	CHIP RESISTOR		
	SR 3	2007-000468	CHIP RESISTOR		
	SR 4	2007-000468	CHIP RESISTOR		
	SZD 1	UZ4.7BM	ZENER DIODE	4.7V	
	SZD 2	UZ6.2BSB	ZENER DIODE	6.2V	
	WCW 1	3708-001252	CONNECTOR	16P	

■ Electrical parts list (Mic / Headphone board) Block No. 05

△	Item	Parts number	Parts name	Remarks	Area
	HC 1	2202-000796	C CAPACITOR		
	HC 2	2202-000796	C CAPACITOR		
	HC 3	2202-000263	C CAPACITOR		
	HC 4	2202-000263	C CAPACITOR		
	HCW 1	3711-001009	CONNECTOR		
	JACK 1	3722-000363	JACK PHONE		
	HL 1	2701-000111	INDUCTOR-AXIAL		
	HL 2	2701-000111	INDUCTOR-AXIAL		
	HR 1	2001-001178	C RESISTOR		
	HR 2	2001-001178	C RESISTOR		

Packing materials and accessories parts list



Block No.M5MM
Block No.M6MM

■ Packing Parts list

Block No. M5MM

▲	Item	Parts number	Parts name	Q'ty	Description	Area
	P 1	AH69-00180A	CARTON	1		
	P 2	AH69-00152A	CUSHION-L	1		
	P 3	AH69-00153A	CUSHION-R	1		
	P 4	AH69-30012T	POLY BAG	1	SET	
	P 5	QPA02503503P	POLY BAG	1	INSTRUCTIONS	
	P 6	AH81-00243M	CUSHION-BOTTOM	1	SPEAKER	
	P 7	AH81-00243L	CUSHION-TOP	1	SPEAKER	
	P 8	AH81-00243P	POLY BAG	2	SPEAKER	
	P 9	AH69-00185A	PAD-ROLE A	1		
	P 10	AH69-00185B	PAD-ROLE B	1		

■ Accessories Parts list

Block No. M6MM

▲	Item	Parts number	Parts name	Q'ty	Description	Area
	A 1	AH59-00044A	REMOTE-CONTROL	1	22KEY	
	A 2	AH68-00337A	INSTRUCTIONS	1	ENG SPA FRE	
	A 3	BT-20044G	SAFETY SHEET	1		
	A 4	BT-52004-1	WARRANTY CARD	1		C
		BT51018-2	WARRANTY CARD	1		J
	A 5	BT-20071B	SERVICE NETWORK	1		C
	A 6	EWP503-001	ANTENNA WIRE	1	FM	
	A 7	QAL0014-001	LOOP ANTENNA	1	AM	
	A 8	-----	BATTERY	2		
	A 9	MXJ100J-SPBOX	SPEAKER BOX	2		